

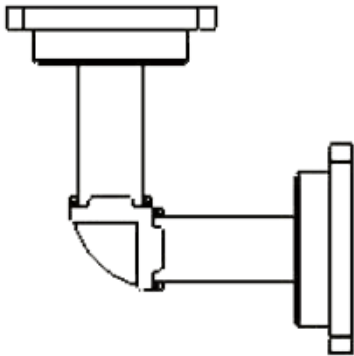


Model Number:
197090

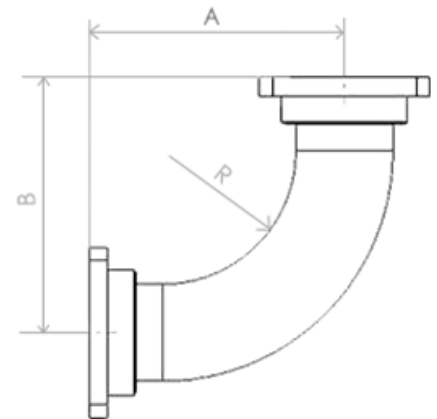
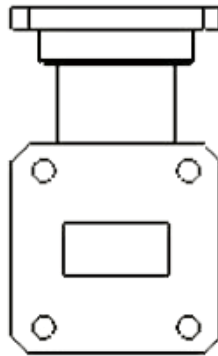
RF Components

X-Band Waveguide E Bend

7.05-10 GHz



Mitred / Cast Bend



Swept Bend

Specification		
	WGMXX-197090-E	WGSXX-197090-E
Waveguide Size	WG15 / WR112 / R84	WG15 / WR112 / R84
Type	Mitred / Cast	Swept
Flange 1	UDR	PDR
Flange 2	UDR	PDR
Flange Material/Finish	Brass Flanges Copper WG Black Paint	Brass Flanges Copper WG Black Paint
Frequency Range	7.05-10 GHz	7.05-10 GHz
VSWR / Return Loss	1.1:1 / 25.7 dB	1.05:1 / 32.26 dB
Dimension A	100 mm	100 mm
Dimension B	100 mm	100 mm
Bend Angle	90 degrees	90 degrees
Max Power	345 KW	345 KW
Radius	N/A	40mm

Broadcast



Marine Oil & Gas



SNG & VSAT



Satellite Teleport

